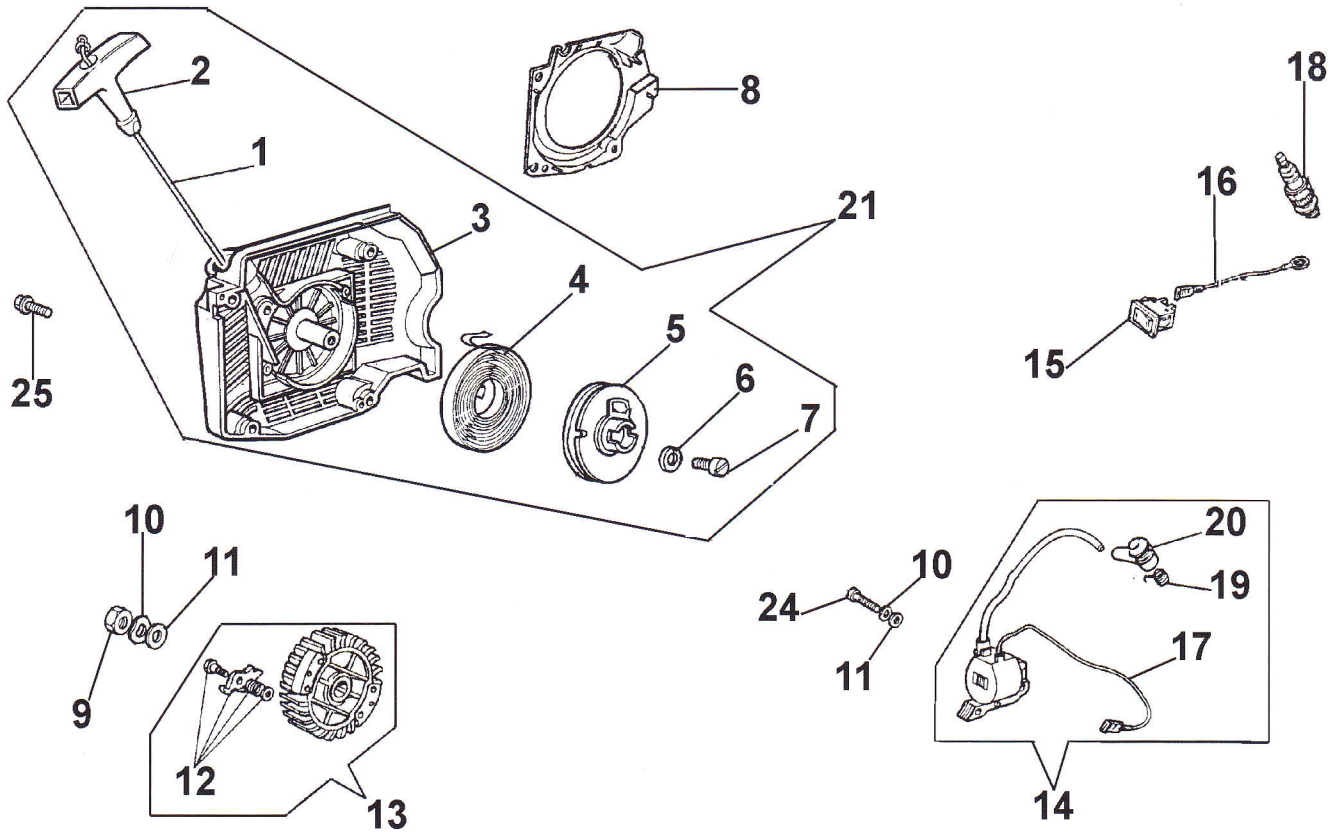
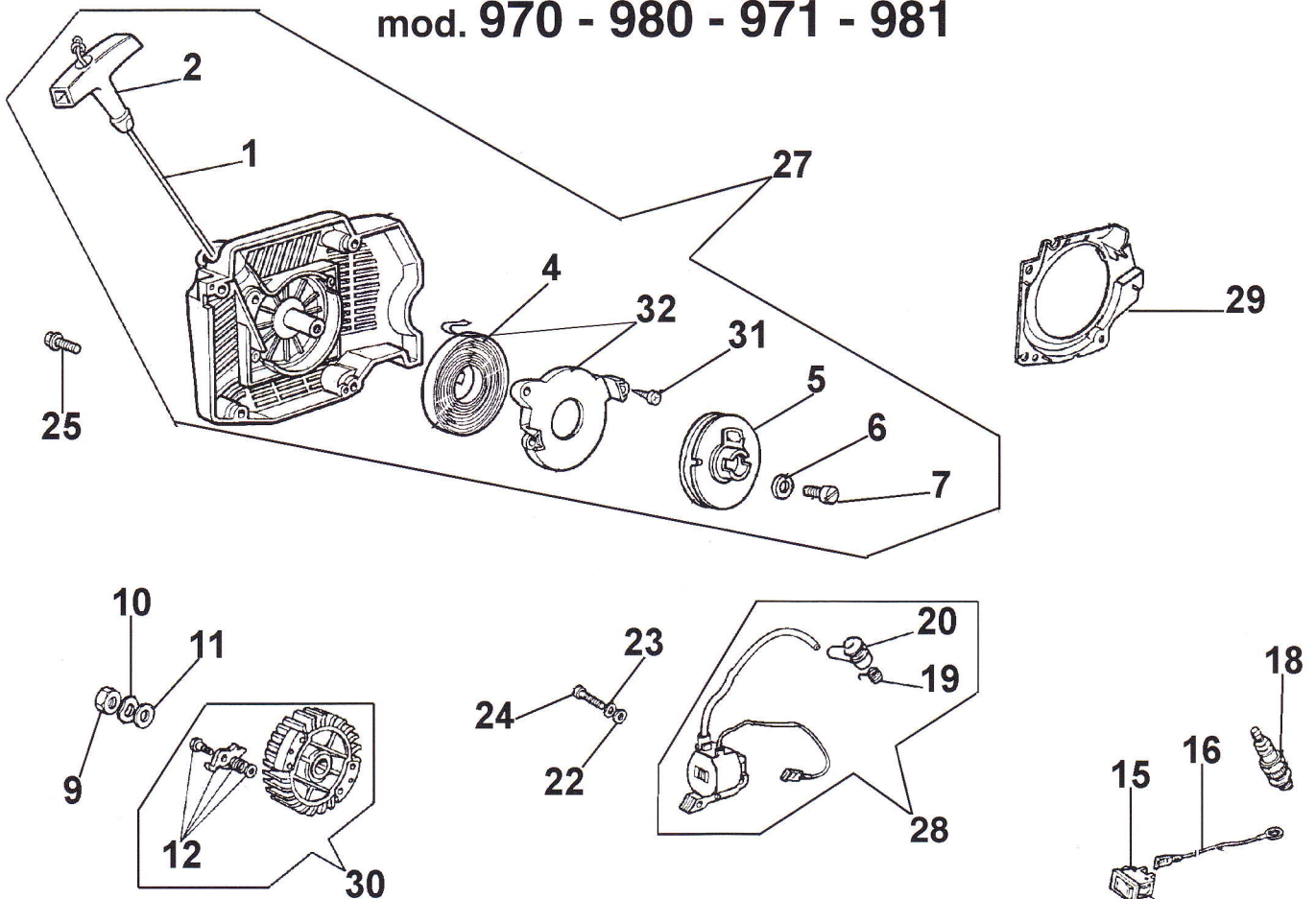


mod. 956 - 962 - 970 - 980 - 971 - 981

mod. 956 - 962

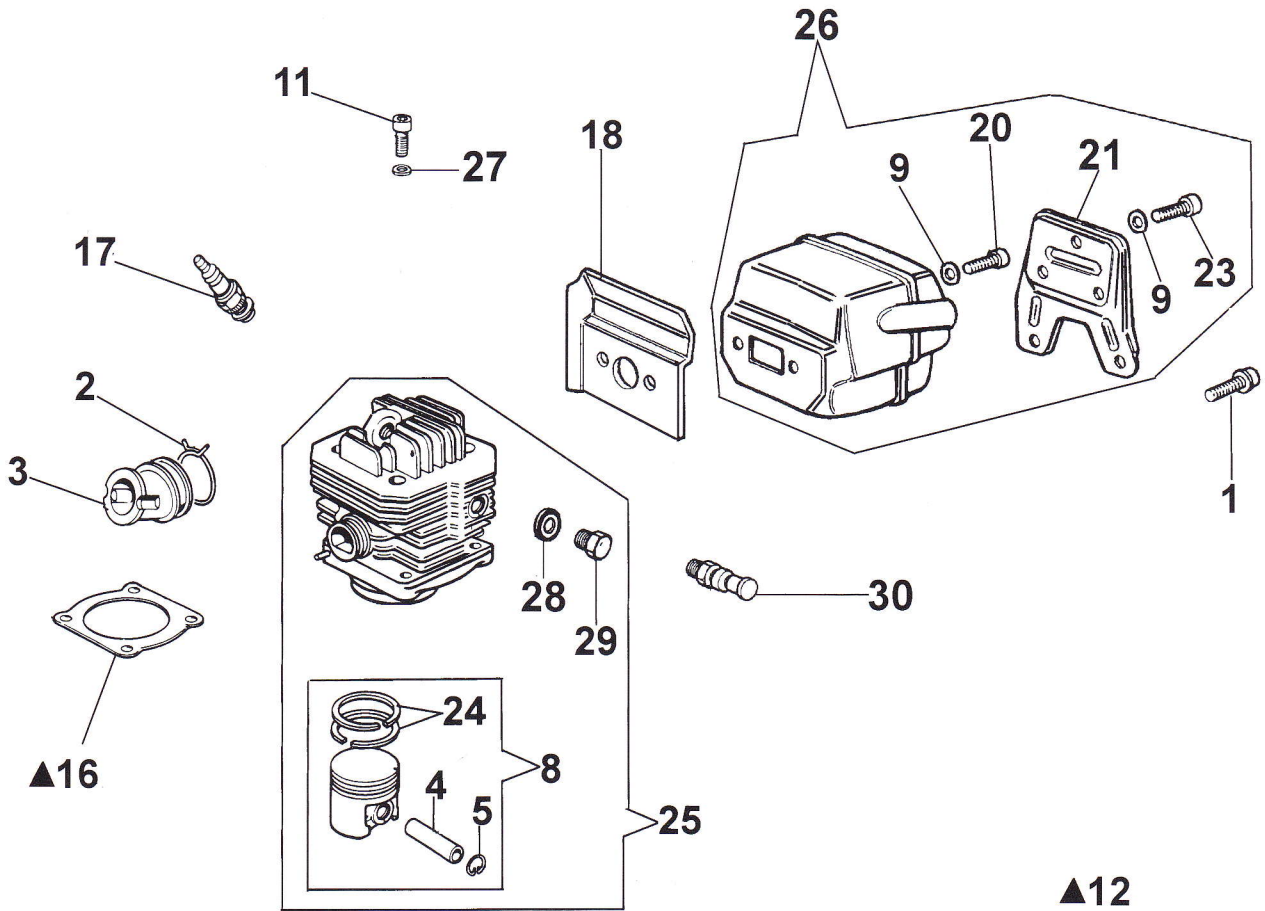
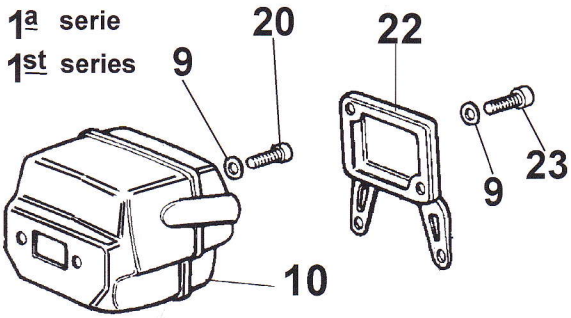


mod. 970 - 980 - 971 - 981

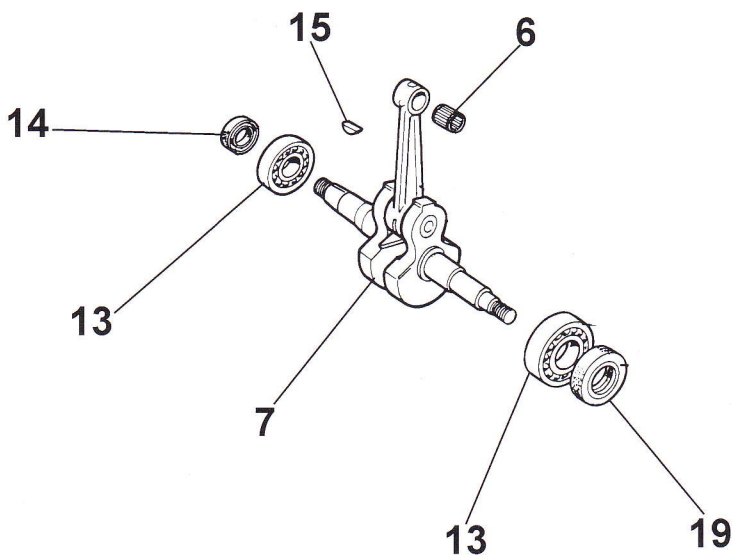


REF.	PART. NO.	SOSTITUITO DA REEMPLACÉ PAR REPLACED BY	DESCRIZIONE ITALIANO	DESCRIPTION ENGLISH	DESCRIPTION FRANÇAIS	DESCRIPCION ESPAÑOL	Bollettino - Bulletin		
							Gr.	N°	Data-Date
1	0970.00037		CORDA	ROPE	CORDE	CUERDA			
2	0970.00064		IMPUGNATURA	HANDLE	POIGNEE	EMPUNADURA			
3	50010069		CONVOGL. ARANCIO .	STARTER CASE OR	CARTER ORANGE	CARTER ANAR.			
4	0040.00132		MOLLA	SPRING	RESSORT	RESORTE			
5	0970.00041		PULEGGIA	PULLEY	POULIE	POLEA			
6	3918006		RONDELLA	WASHER	RONDELLE	ARANDELA			
7	3908036		VITE	SCREW	VIS	TORNILLO			
8	50010019A		FLANGIA	FLANGE	FLASQUE	PLACA			
9	0040.00142		DADO	NUT	ECROU	TUERCA			
10	3833080		RONDELLA	WASHER	RONDELLA	ARANDELA			
11	0050.00361		RONDELLA	WASHER	RONDELLE	ARANDELA			
12	0970.00217		KIT ARPIONCINI	PAWL KIT	KIT CLIQUETTE	JUEGO DE TRINQUETE			
13	50010030		VOLANO COMPL.	FLYWHEEL ASSY	VOLANT COMPL.	VOLANTE COMPL.			
14	50020007A		BOBINA	COMPL. COIL	BOBINE	BOBINA			
15	2317011A		INTERRUTTORE	SWITCH	INTERRUPTEUR	INTERRUPTOR			
16	0970.00121A		CAVO	CABLE	CABLE	CABLE			
17	0970.00122A		CAVO	CABLE	CABLE	CABLE			
18	0050.00019		CANDELA	SPARK PLUG	BOUGIE	BUJIA			
19	0946.00169		MOLLA	SPRING	RESSORT	RESORTE			
20	0946.00097		PIPETTA	CAP	CAPUCHON	CUBRE BUJIA			
21	50012001		CONVOGL. ARANCIO .	STARTER CASE OR	CARTER ORANGE	CARTER ANAR.			
22	0060.00152		RONDELLA	WASHER	RONDELLE	ARANDELA			
23	0060.00315		RONDELLA	WASHER	RONDELLE	ARANDELA			
24	0940.00227		VITE	SCREW	VIS	TORNILLO			
25	0970.00092		VITE	SCREW	VIS	TORNILLO			
26	0980.00060		SCATOLA + MOLLA	SPRING AND CASE	BOITE ET RESSORT ...	CARCASA Y RESORTE .			
27	0980.00066A		AVVIAM. COMPL. ARANCIO .	STARTER CASE OR	CARTER ORANGE	CARTER ANARANCA ...			
	0980.00067A		AVVIAM. COMPL. ROSSO	STARTER CASE RED ...	CARTER ROUGE	CARTER ROJO			
28	0980.00036B		BOBINA 970-971-980 ..	COMPL. COIL 970-971-980 ..	BOBINE 970-971-980 ...	BOBINA 970-971-980			
	0980.00091		BOBINA 981	COMPL. COIL 981	BOBINE 981	BOBINA 981			
29	0970.00019A		FLANGIA	FLANGE	FLASQUE	PLACA			
30	52010136		VOLANO COMPL.	FLYWHEEL ASSY	VOLANT COMPL.	VOLANTE COMPL.			
31	0054.00785		VITE	SCREW	VIS	TORNILLO			
32	098000060A		MOLLA + SCATOLA	SPRING AND CASE	RESSORT + BOITE	RESORTE Y CARCASA .			

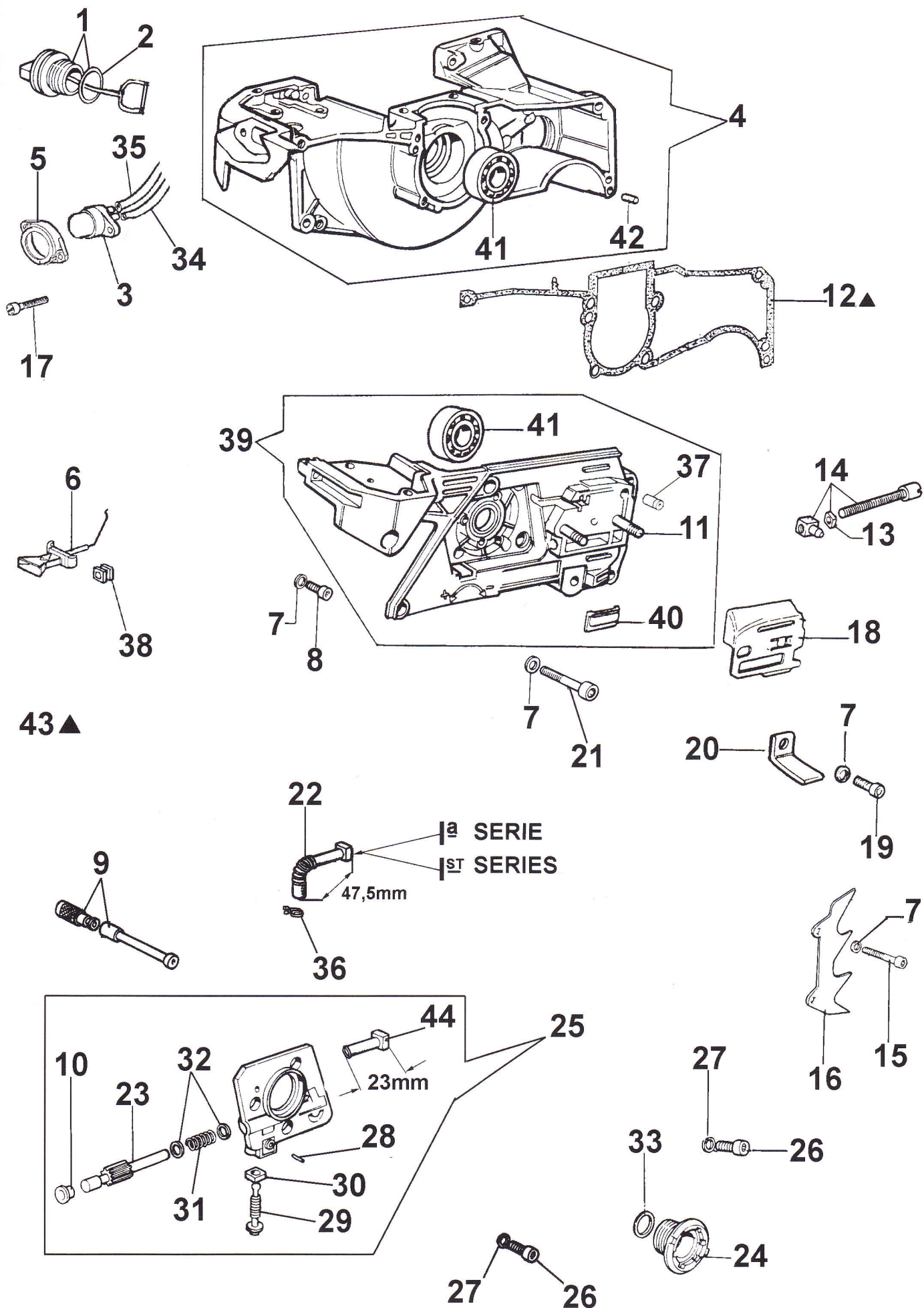
1ª serie
1st series



▲12



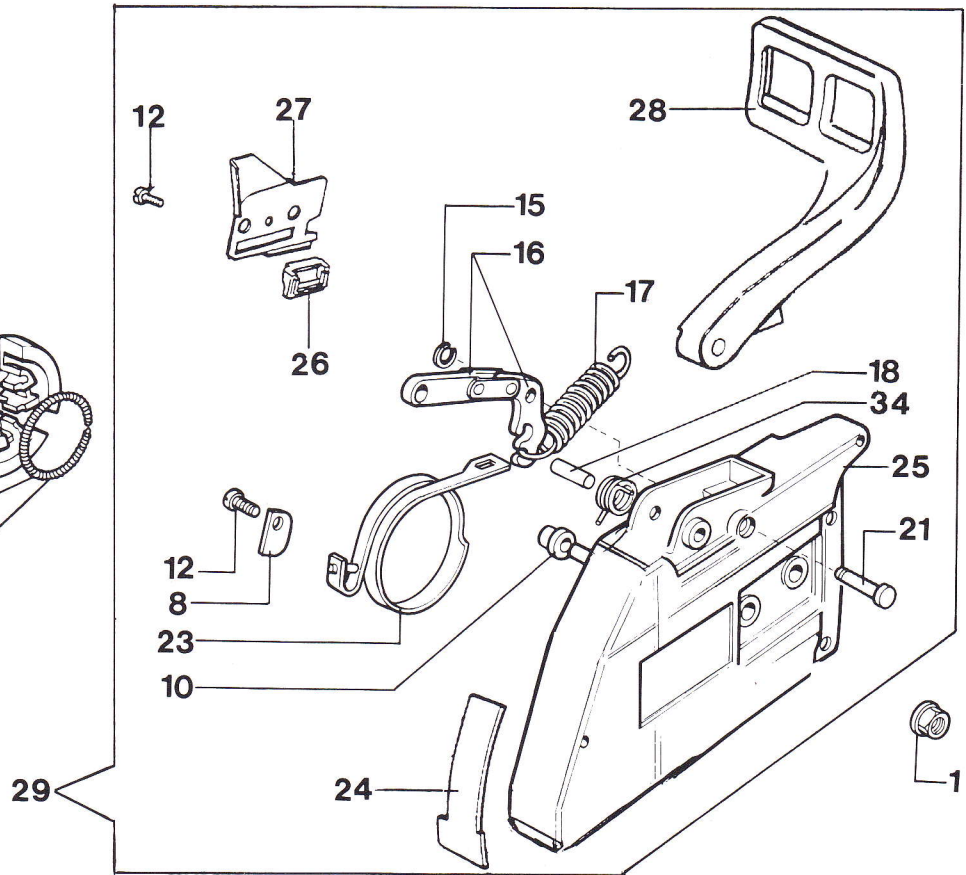
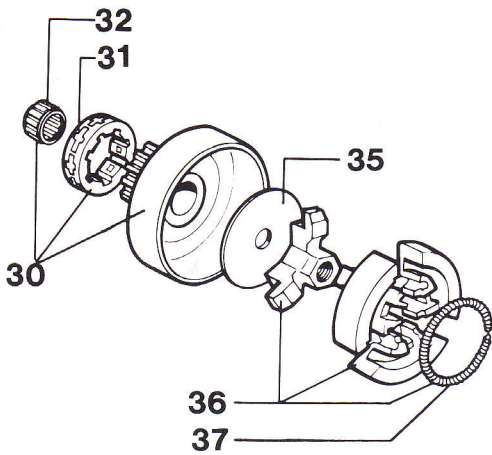
REF.	PART. NO.	SOSTITUITO DA REEMPLACÉ PAR REPLACED BY	DESCRIZIONE ITALIANO	DESCRIPTION ENGLISH	DESCRIPTION FRANÇAIS	DESCRIPCION ESPAÑOL	Bollettino - Bulletin		
							Gr.	N°	Data-Date
1	0970.00092		VITE	SCREW	VIS	TORNILLO			
2	0970.00059		ANELLO	SNAP RING	CIRCLIPS	ANILLO			
3	50010026		COLLETTORE	MANIFOLD	COLLECTEUR	CONEXION			
4	50010031		SPINOTTO PISTONE ..	PISTON PIN	AXE PISTON	PERNO			
5	0072.01198		ANELLO	SNAP RING	CIRCLIPS	ANILLO			
6	3037014		CUSCINETTO	BEARING	ROULEMENT	COJINETE			
7	50010001		ALBERO MOTORE	SHAFT	VILEBREQUIN	CIGUENAL			
8	50012024		PISTONE COMPL. Ø 46	COMPL. PISTON Ø 46 ..	PISTON COMPL. Ø 46 ..	PISTON COMPL. Ø 46 ..			
	50022005		PISTONE COMPL. Ø 48	COMPL. PISTON Ø 48 ..	PISTON COMPL. Ø 48 ..	PISTON COMPL. Ø 48 ..			
9	3033074		RONDELLA	WASHER	RONDELLE	ARANDELA			
10	50010051C		MARMITTA COMPL.	COMPL. MUFFLER	POT D'ECCHAPMENT .	ESCAPE COMPL.			
11	3801038		VITE	SCREW	VIS	TORNILLO			
12	50012052		SERIE GUARNIZIONI ..	GASKET SET	KIT JOINTS	JUEGO DE JUNTAS			
13	3034012		CUSCINETTO	BEARING	ROULEMENT	COJINETE			
14	0945.00004		ANELLO DI TENUTA ...	SEALING RING	BAGUE	RETEN			
15	0945.00028		CHIAVETTA	KEY	CLAVETTE	CHAVETA			
16	50010046		GUARNIZIONE	GASKET	JOINT	JUNTA			
17	0050.00019		CANDELA	SPARK PLUG	BOUGIE	BUJIA			
18	50010058		GUARNIZIONE	GASKET	JOINT	JUNTA			
19	0072.01313		ANELLO DI TENUTA ...	SEALING RING	BAGUE	RETEN			
20	3801045		VITE	SCREW	VIS	TORNILLO			
21	50010145		COPERCHIO	COVER	COUVERCLE	TAPA			
22	50010057		COPERCHIO	COVER	COUVERCLE	TAPA			
23	3801052		VITE	SCREW	VIS	TORNILLO			
24	50010033		SEGMENTO Ø 46	PISTON RING Ø 46	SEGMENT Ø 46	ARO PISTON Ø 46			
	50020004		SEGMENTO Ø 48	PISTON RING Ø 48	SEGMENT Ø 48	ARO PISTON Ø 48			
25	50012095		CILINDRO COMPL. Ø 46.	CYLINDER ASSY Ø 46	CYLINDRE COMPL. Ø 46.	CILINDRO COMPL.Ø 46 ...			
	50022052		CILINDRO COMPL. Ø 48.	CYLINDER ASSY Ø 48	CYLINDRE COMPL. Ø 48.	CILINDRO COMPL.Ø 48 ...			
26	50022044		MARMITTA COMPL.	COMPL. MUFFLER	POT D'ECCHAPMENT .	ESCAPE COMPL.			
27	3833076		RONDELLA	WASHER	RONDELLE	ARANDELA			
28	3078012		RONDELLA	WASHER	RONDELLE	ARANDELA			
29	52010093		VITE	SCREW	VIS	TORNILLO			
30	52010067		DECOMPRESSORE	DECOMPRESSOR	DECOMPRESSEUR	DECOMPRESSOR			



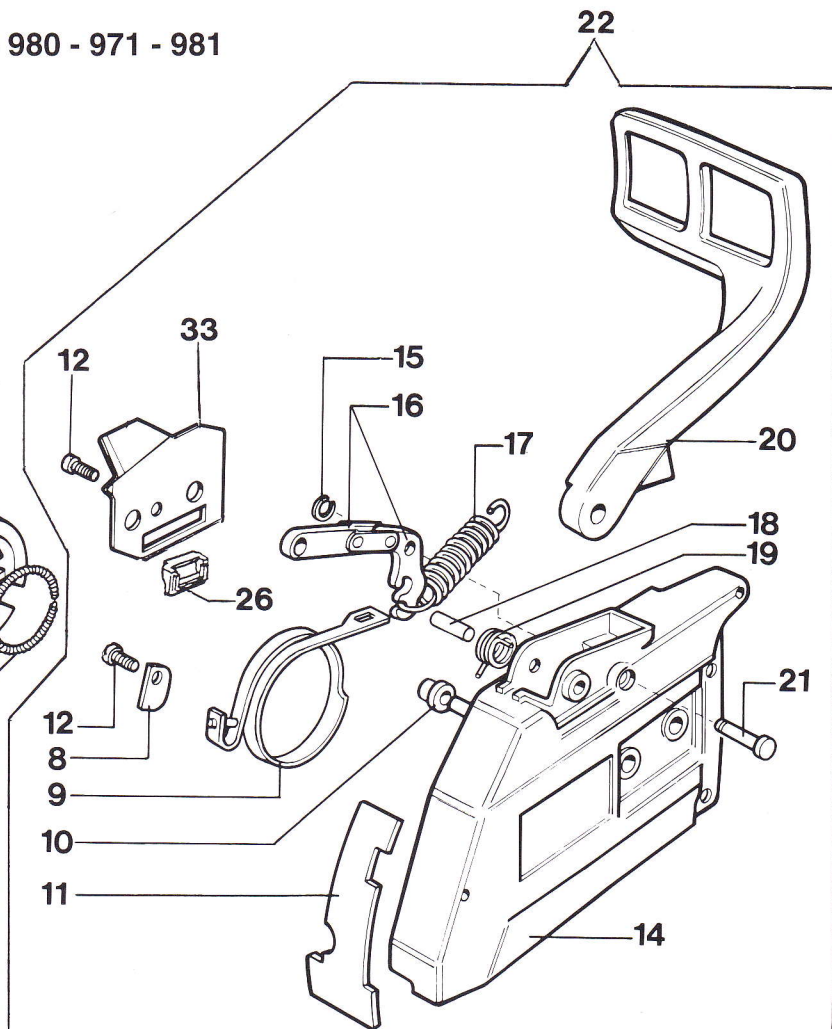
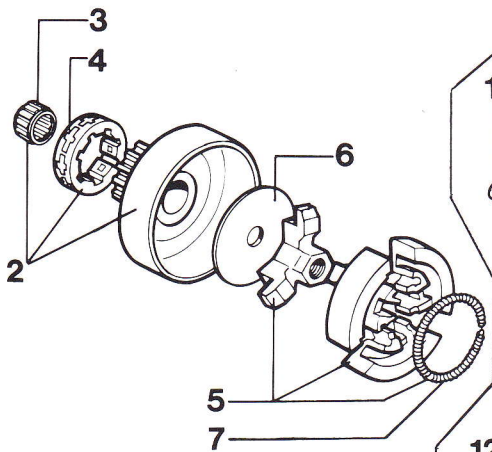
REF.	PART. NO.	SOSTITUITO DA REMPLEACÉ PAR REPLACED BY	DESCRIZIONE ITALIANO	DESCRIPTION ENGLISH	DESCRIPTION FRANÇAIS	DESCRIPCION ESPAÑOL	Bollettino - Bulletin		
							Gr.	N°	Data-Date
1	50012009		TAPPO OLIO CPL.	OIL CAP CPL.	BOUCHON HUILE	TAPON ACEITE CPL.			
2	3049025		O-R	O-RING	O-RING	O-RING			
3	50010032		AIR PURGE	AIR PURGE	AIR PURGE	AIR PURGE			
4	50012006B		SEMIC. L.V. ARANCIO .	CRANKCASE ORANGE	DEMICARTER ORANGE	CARTER ANAR.	4	60	12-98
5	50010175		FLANGIA	FLANGE	BRIDE	BRIDA			
6	50010065		LEVA ARIA	STARTER LEVIER	LEVIER	PALANCA			
7	3833073		RONDELLA	WASHER	RONDELLE	ARANDELA			
8	0051.00987		VITE	SCREW	VIS	TORNILLO			
9	0970.00147		FILTRO OLIO	OIL FILTER	FILTRE HUILE	FILTRO EN ACEITE			
10	0970.00078		TAPPO	CAP	BOUCHON	TAPON			
11	0945.00141A		PRIGIONIERO BARRA	STUD	VIS	TORNILLO	4	60	12-98
12	50010047		GUARNIZIONE	GASKET	JOINT	JUNTA			
13	50010079		FERMO TENDICATENA	SCREEN-LOCK	ARRET VIS	RETEEN TORNILLO			
14	50010151		TENDICATENA CPL. ...	CHAIN ADJUSTER CPL.	TENDEUR COMPL.	TORNILLO TENSOR	4	50	12-98
15	0061.00303		VITE	SCREW	VIS	TORNILLO			
16	50010050		ARTIGLIO	SPIKE	GRIFFE	ARPON			
17	3960093		VITE	SCREW	VIS	TORNILLO			
18	50010010		LAMIERINO	PLATE	PLAQUETTE	PLACA			
19	0060.00275		VITE	SCREW	VIS	TORNILLO			
20	0970.00283		PROTEZ. CATENA	CHAIN CATCHER	ARRET DE CHAINE	CHAPA			
21	3801035		VITE	SCREW	VIS	TORNILLO			
22	50010060		TUBO	OIL LINE	TUYAU	TUBO			
23	0970.00069		PISTONCINO POMPA .	PUMP PISTON	PISTON	PISTON			
24	50010036		VITE SENZA FINE	WORM GEAR	VIS S.F.	SIN FIN			
25	50012027A		POMPA OLIO CPL.	OIL PUMP ASSY	POMPE HUILE	BOMBA DE ACEITE			
26	0060.00024		VITE	SCREW	VIS	TORNILLO			
27	0060.00315		RONDELLA	WASHER	RONDELLE	ARANDELA			
28	0970.00062		SPINA	PIN	AXE	PERNO			
29	50010037		VITE REG. OLIO	ADJUST. OIL SCREW ...	VIS DE REGLAGE	TORNILLO REGULADOR			
30	0970.00068		DADO	NUT	ECROU	TUERCA			
31	0970.00071		MOLLA	SPRING	RESSORT	RESORTE			
32	0970.00070		RONDELLA	WASHER	RONDELLE	ARANDELA			
33	50010044		RONDELLA	WASHER	RONDELLE	ARANDELA			
34	61060012		TUBO AIR PURGE	AIR PURGE LINE	TUYAU AIR PURGE	TUBO AIR PURGE			
35	50010090A		TUBO	OIL LINE	TUYAU	TUBO			
36	3059003		FASCETTA	CLAMP	COLLIER	ABRAZADERA			
37	0970.00229		VALVOLA SFIATO	BREATHER TANK	SOUPAPE	VALVULA			
38	0970.00057		PASSACAVO	BUSHING	OEILLET	PASACABLE			
39	50010135A		SEMIF. L.F. ARANCIO ..	CRANKCASE ORANGE	DEMICARTER ORANGE	CARTER ANAR.	4	60	12-98
40	50010045		PROTEZ. CATENA	PERNO	GOUION	PERNO			
41	3034012		CUSCINETTO	BEARING	ROULEMENT	COJINETE			
42	3023008		SPINA	PIN	AXE	PERNO			
43	50012052A		SERIE GUARNIZIONI ..	GASKET SET	JEU DE JOINTS	JUEGO DE JUNTAS			
44	50010159		TUBO	OIL LINE	TUYAU	TUBO			

mod. 956 - 962 - 970 - 980 - 971 - 981

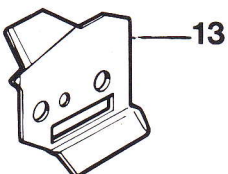
mod. 956 - 962



mod. 970 - 980 - 971 - 981

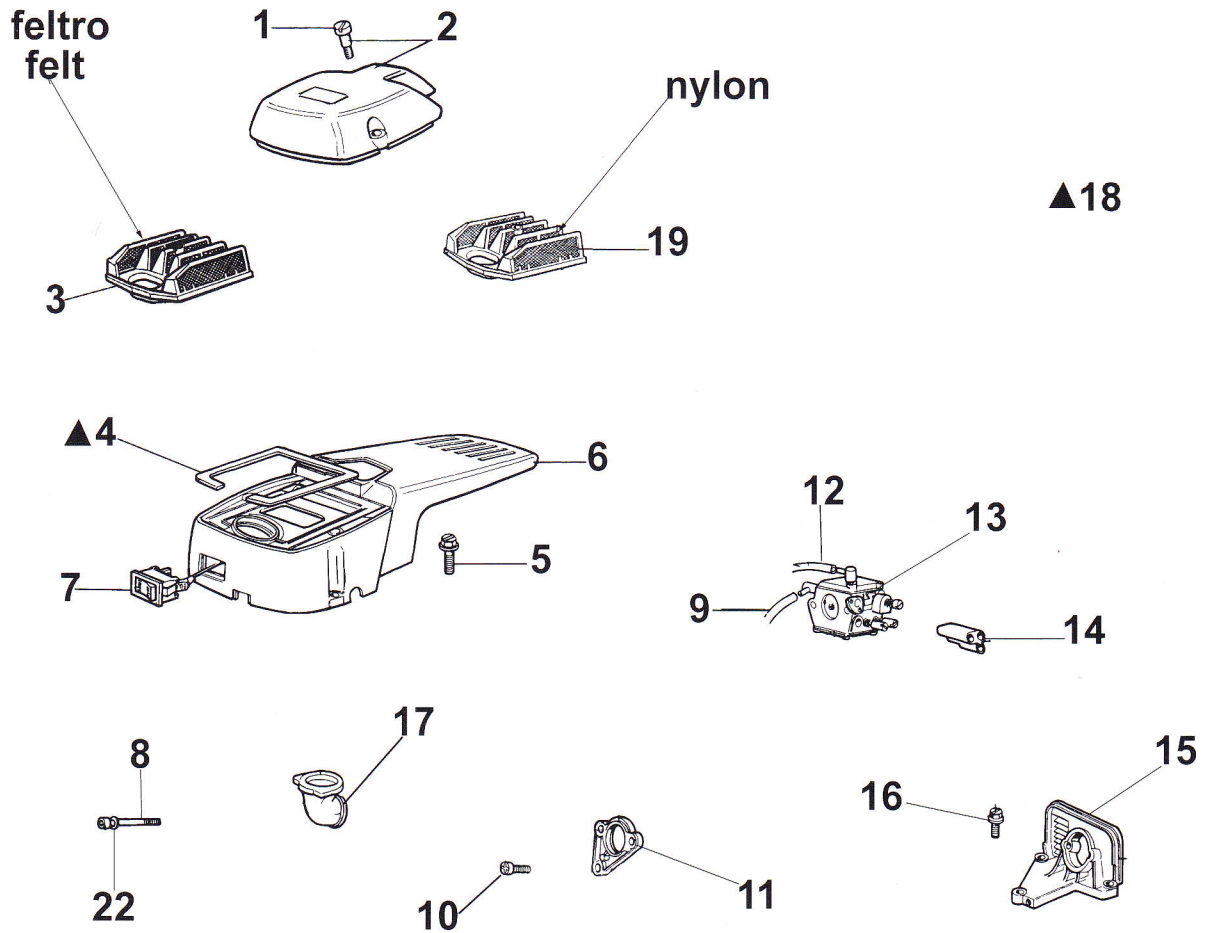


1ª SERIE

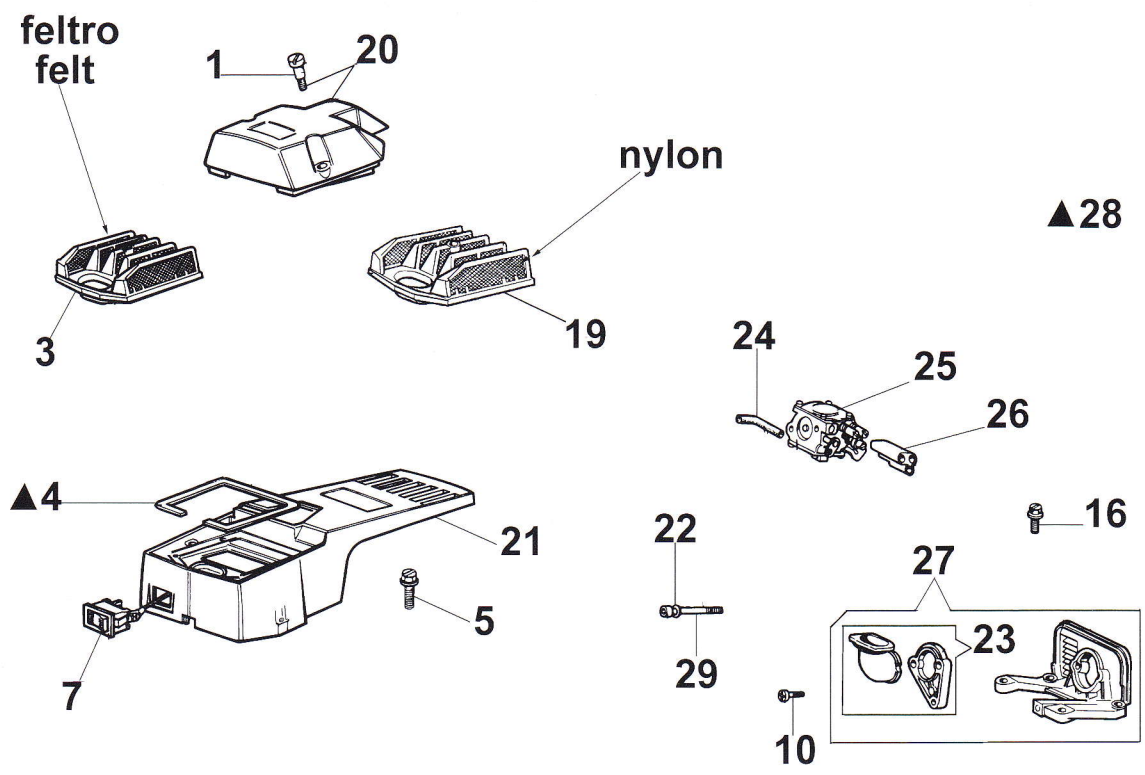


REF.	PART. NO.	SOSTITUITO DA REEMPLACÉ PAR REPLACED BY	DESCRIZIONE ITALIANO	DESCRIPTION ENGLISH	DESCRIPTION FRANÇAIS	DESCRIPCION ESPAÑOL	Bollettino - Bulletin		
							Gr.	N°	Data-Date
1	0945.00155		DADO	NUT	ECROU	TUERCA			
2	0970.00207		CAMPANA COMPL. P.3/8"	COMPL. DRUM P.3/8"	TAMBOUR COMPL. P.3/8"	CAMPANA COMPL. P.3/8"			
3	0970.00011		CUSCINETTO	BEARING	ROULEMENT	COJINETE			
4	0061.00730		ANELLO P.3/8"	RIM SPROCKET P.3/8"	PIGNON P.3/8"	PINON P.3/8"			
5	0970.00132		FRIZIONE COMPL.	CLUTCH ASSY	EMBAYAGE COMPL. ..	EMBRAGUE COMPL.			
6	0970.00097		RONDELLA	WASHER	RONDELLE	ARANDELA			
7	0970.00098		MOLLA	SPRING	RESSORT	RESORTE			
8	0970.00140	50010084	PIASTRINA	SPACER	ENTRETOISE	LAMINA			
9	0970.00105		NASTRO FRENO	BRAKE BAND	COLLIER DE FREIN	CINTA DE FRENADO			
10	0060.00300		BOCCOLA	BUSHING	BAGUE	BOQUILLA			
11	0970.00114		DEFLETTORE	DEFLECTOR	DEFLECTEUR	DEFLECTOR			
12	3960045		VITE	SCREW	VIS	TORNILLO			
13	0970.00066		LAMIERINO 1ª SERIE .	PLATE 1ª SERIE	PLAQUETTE 1ª SERIE	LAMINA 1ª SERIE			
14	0970.00167	0970.00321	COPRIC. ARANCIO	CHAIN COVER ORANGE	COUVERCLE ORANGE	CUBRECADENA ANAR.			
	0970.00172	0970.00322	COPRIC. ROSSO	CHAIN COVER RED	COUVERCLE ROUGE .	CUBRECADENA ROJO .			
15	3026003		ANELLO	SNAP RING	CIRCLIPS	ANILLO			
16	0970.00146		LEVA	LEVER	LEVIER	PALANCA			
17	0999.00152		MOLLA	SPRING	RESSORT	RESORTE			
18	0970.00107		PERNO	PIN	AXE	PERNO			
19	50010088A		MOLLA	SPRING	RESSORT	RESORTE			
20	0970.00102		PROTEZIONE	HAND GUARD	PROTECTION	PROTECCION			
21	0970.00106		PERNO	PIN	AXE	PERNO			
22	097000373		COPRIC. COMPL. ARANCIO	CHAIN COVER ASSY OR. ...	COUVERCLE COMPL. ORANGE	CUBRECADENA COMPL. ANAR.			
	097000380		COPRIC. COMPL. ROSSO .	CHAIN COVER ASSY RED ..	COUVERCLE COMPL. ROUGE	CUBRECADENA COMPL. ROJO			
23	50010039		NASTRO FRENO	BRAKE BAND	COLLIER DE FREIN	CINTA DE FRENADO			
24	50010062		DEFLETTORE	DEFLECTOR	DEFLECTEUR	DEFLECTOR			
25	50012003		COPRICATENA	COVER	COUVERCLE	TAPA			
26	50010045		PROTEZIONE CATENA	CHAIN CATCHER	ARRET DE CHAINE	CHAPA			
27	50010009		LAMIERINO	PLATE	PLAQUETTE	PLACA			
28	50010040		PROTEZIONE	GUARD	PROTECTION	PROTECCION			
29	50012002		COPRIC. COMPL. ARANCIO	CHAIN COVER ASSY OR. ...	COUVERCLE COMPL. ORANGE	CUBRECADENA COMPL. ANAR.			
30	50012050		CAMPANA COMPL. P.325"	COMPL. DRUM P.325"	TAMBOUR COMPL. P.325" ..	CAMPANA COMPL. P.325"			
	50022034		CAMPANA COMPL. P.3/8"	COMPL. DRUM P.3/8"	TAMBOUR COMPL. P.3/8"	CAMPANA COMPL. P.3/8" ..			
31	0945.00046		ANELLO P.325"	RIM SPROCKET P.325" .	PIGNON P.325"	PINON P.325"			
	0061.00730		ANELLO P.3/8"	RIM SPROCKET P.3/8" .	PIGNON P.3/8"	PINON P.3/8"			
32	3037016		CUSCINETTO	BEARING	ROULEMENT	COJINETE			
33	0970.00275		LAMIERINO 2ª SERIE .	PLATE 2ª SERIE	PLAQUETTE 2ª SERIE	PLACA 2ª SERIE			
34	50010088A		MOLLA	SPRING	RESSORT	RESORTE			
35	3751.00012A		RONDELLA	WASHER	RONDELLE	ARANDELA	4	50	6-98
36	50012023		FRIZIONE COMPL.	CLUTCH ASSY	EMBAYAGE COMPL. ..	EMBRAGUE COMPL.			
37	0049.00137A		MOLLA	SPRING	RESSORT	RESORTE			

mod. 956 - 962

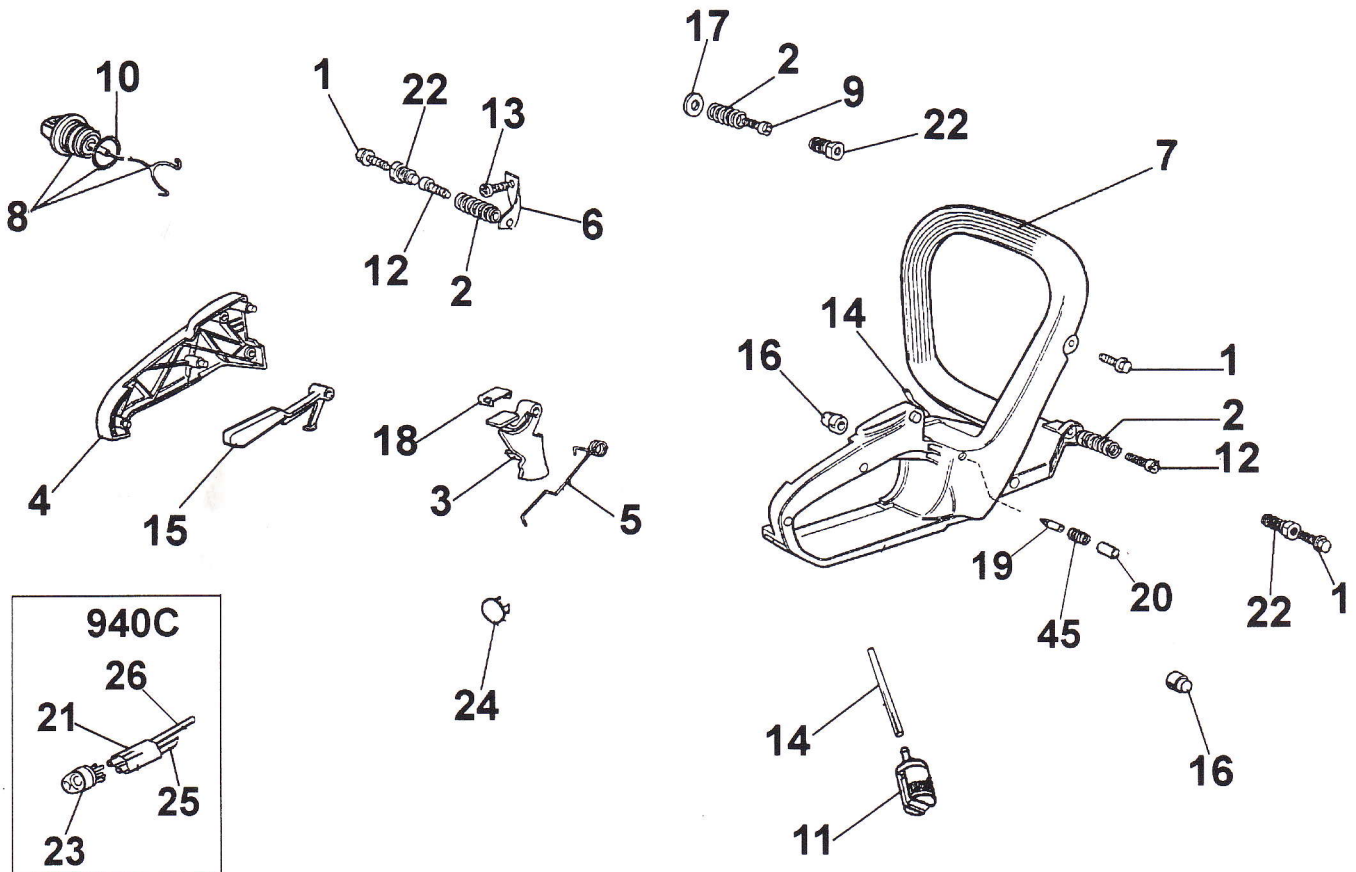


mod. 970 - 980 - 971 - 981

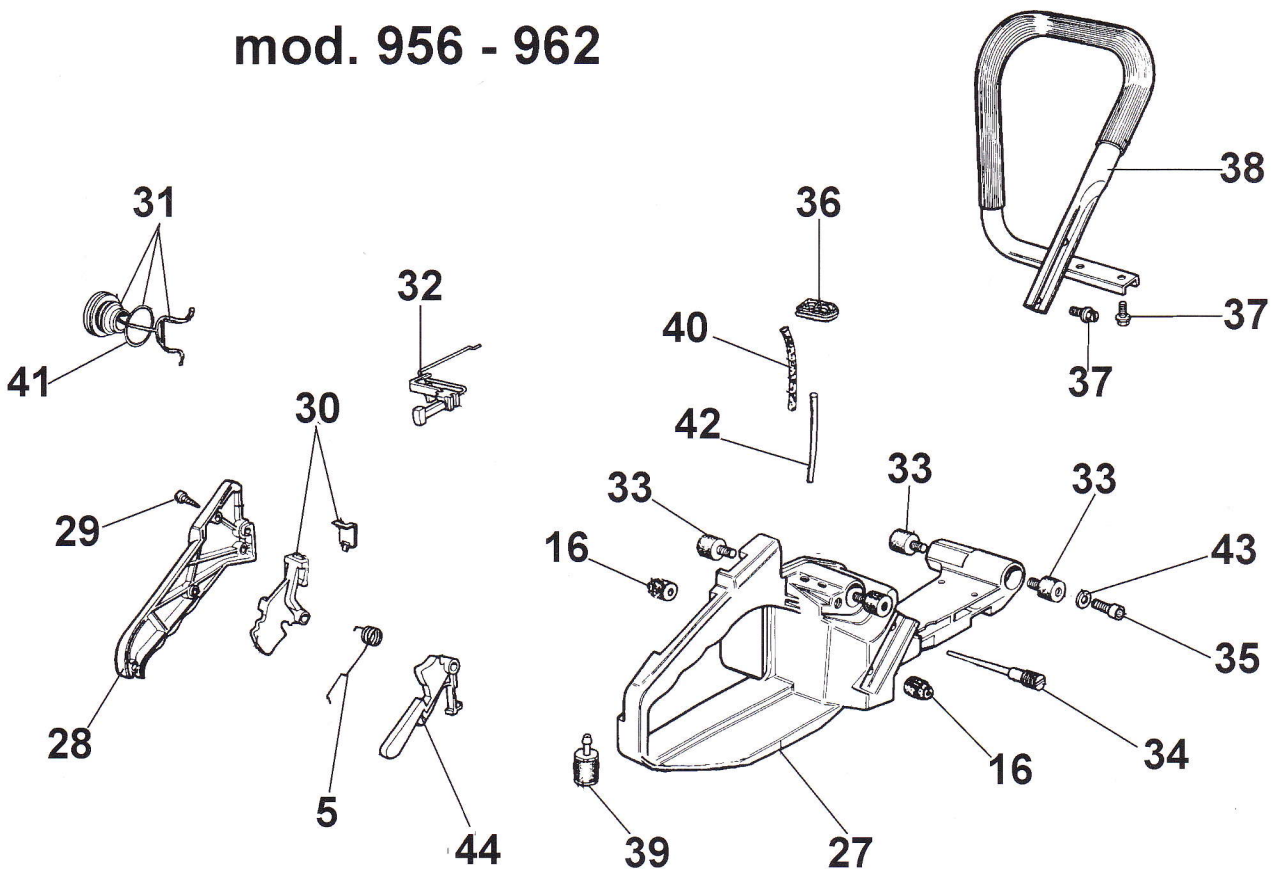


REF.	PART. NO.	SOSTITUITO DA REEMPLACÉ PAR REPLACED BY	DESCRIZIONE ITALIANO	DESCRIPTION ENGLISH	DESCRIPTION FRANÇAIS	DESCRIPCION ESPAÑOL	Bollettino - Bulletin		
							Gr.	N°	Data-Date
1	0930.00468A		VITE	SCREW	VIS	TORNILLO			
2	50010121		COPERCHIO FILTRO A. ..	AIR FILTER COVER	COUVERCLE FILTRE ..	TAPA FILTRO			
3	0970.00044		FILTRO ARIA FELTRO ..	AIR FILTER FELT	FILTRE AIR	FILTRO AIRE			
4	0970.00056		GUARNIZIONE	GASKET	JOINT	JUNTA			
5	0999.00296		VITE	SCREW	VIS	TORNILLO			
6	50010070 50022043		COP. CILINDRO	CYLINDER COVER	COUVERCLE CYL.	TAPA CILINDRO			
7	2317011A		INTERRUTTORE	SWITCH	INTERRUPTEUR	INTERRUPTOR			
8	0050.00363		VITE	SCREW	VIS	TORNILLO			
9	50010093		TUBO	FUEL LINE	TUYAU	TUBO			
10	3960057		VITE	SCREW	VIS	TORNILLO			
11	50010028		DISTANZIALE	SPACER	ENTRETOISE	SEPARADOR			
12	0940.00215		TUBO	FUEL LINE	TUYAU	TUBO			
13	50010012		CARBURATORE	CARBURETOR	CARBURATEUR	CARBURADOR			
14	50010067		GUIDA VITI	SCREW GUIDE	GUIDE VIS	GUIDA DE TORNILLO ...			
15	50010017		SUPPORTO CARB.	SUPPORT	SUPPORT	SOPORTE			
16	0970.00092		VITE	SCREW	VIS	TORNILLO			
17	50010027		COLLETORE	MANIFOLD	COLLECTEUR	CODO			
18	50012052		KIT GUARNIZIONI	GASKET SET	JEU DE JOINTS	JUEGO DE JUNTAS			
19	0980.00092		FILTRO ARIA NYLON ..	AIR FILTER NYLON	FILTRE AIR	FILTRO AIRE			
20	0970.00133		COPERCHIO FILTRO A. 970-971	AIR FILTER COVER 970-971 ..	COUVERCLE FILTRE 970-971	TAPA FILTRO 970-971			
	0980.00034		COPERCHIO FILTRO A. 980-981	AIR FILTER COVER 980-981 ..	COUVERCLE FILTRE 980-981	TAPA FILTRO 980-981			
21	0970.00334 0970.00372		COP. CILINDRO 970-971	CYLINDER COVER 970-971	COUVERCLE CYL. 970-971	TAPA CILINDRO 970-971			
	0980.00183		COP. CILINDRO 980-981	CYLINDER COVER 980-981	COUVERCLE CYL. 980-981	TAPA CILINDRO 980-981			
22	3833073		RONDELLA	WASHER	RONDELLE	ARANDELA			
23	0970.00357		KIT PER 970-971	SET FOR 970-971	KIT POUR 970-971	JUEGO POR 970-971	4	51	12-98
	0980.00049		KIT PER 980-981	SET FOR 980-971	KIT POUR 980-981	JUEGO POR 980-981	4	51	12-98
24	0946.00126		TUBO	FUEL LINE	TUYAU	TUBO			
25	0970.00012B		CARBURATORE 970-971	CARBURETOR 970-971	CARBURATEUR 970-971	CARBURADOR 970-971			
	0980.00020		CARBURATORE 980	CARBURETOR 980	CARBURATEUR 980	CARBURADOR 980			
	0980.00093		CARBURATORE 981	CARBURETOR 981	CARBURATEUR 981	CARBURADOR 981			
26	0970.00058A		GUIDA VITI	SCREW GUIDE	GUIDE VIS	GUIDA DE TORNILLO ...	4	51	12-98
27	0970.00320A		KIT PER 970-971	SET FOR 970-971	KIT POUR 970-971	JUEGO POR 970-971	4	51	12-98
	0980.00050		KIT PER 980-981	SET FOR 980-981	KIT POUR 980-981	JUEGO POR 980-981			
28	0970.00215A		KIT GUARNIZIONI	GASKET SET	JEU DE JOINTS	JUEGO DE JUNTAS			
29	0060.00370		VITE	SCREW	VIS	TORNILLO			

mod. 936 - 940 - 940C



mod. 956 - 962



REF.	PART. NO.	SOSTITUITO DA REEMPLACÉ PAR REPLACED BY	DESCRIZIONE ITALIANO	DESCRIPTION ENGLISH	DESCRIPTION FRANÇAIS	DESCRIPCION ESPAÑOL	Bollettino - Bulletin		
							Gr.	N°	Data-Date
1	0970.00061A		VITE	SCREW	VIS	TORNILLO			
2	50050047		MOLLA	SPRING	RESSORT	RESORTE			
3	50050045		ACCELERATORE	THROTTLE LEVER	LEVIER ACCEL.	PALANCA ACELER.			
4	50050024A		COPERCHIO IMP.	HANDLE COVER	COUVERCLE POIGNEE	TAPA EMPUNADURA			
5	0970.00028		MOLLA	SPRING	RESSORT	RESORTE			
6	50050123		TELA	ROPE	BAND	CORREA			
7	50050163		IMPUGNATURA	HANDLE	POIGNEE	EMPUNADURA			
8	50052005		TAPPO COMPL.	CAP ASSY	BOUCHON COMPL.	TAPON COMPL.			
9	3960073		VITE	SCREW	VIS	TORNILLO			
10	3049025		O-R	O-RING	O-RING	O-RING			
11	0946.00450		FILTRO MIX	FUEL FILTER	FILTRE MIX	FILTRO GASOLINA			
12	0946.00041		VITE	SCREW	VIS	TORNILLO			
13	3960070		VITE	SCREW	VIS	TORNILLO			
14	50050070		TUBO	FUEL LINE	TUYAU	TUBO			
15	50050046		LEVA DI FERMO	LEVER	LEVIER	PALANCA			
16	50010061		ANTIVIBRANTE	SHOCK ABSORBER	AMORTISSEUR	ANTIVIBRADOR			
17	3918010		RONDELLA	WASHER	RONDELLE	ARANDELA			
18	50050119		LAMIERINO	PLATE	PLAQUETTE	LAMINA			
19	50050071		SFIATO MIX	TANK BREATHER	SOUPAPE	VALVULA			
20	0945.00577A		VALVOLA DI SFIATO ...	TANK BREATHER	SOUPAPE DE RESERVOIR	VALVULA DEL DEPOSITO .			
21	50060021		GUAINA	SHEATH	GUAINE	VAINA			
22	50050051		SUPPORTO VITE	SCREW GUIDE	SUPPORT VIS	SOPORTE TORNILLO ...			
23	50060012		AIR PURGE	AIR PURGE	AIR PURGE	AIR PURGE			
24	50050072		TAPPO	CAP	BOUCHON	TAPA			
25	61110034		TUBO	FUEL LINE	TUYAU	TUBO			
26	50060039		TUBO AIR PURGE	AIR PURGE TUBE	TUYAU AIR PURGE	TUBO AIR PURGE			
27	50010072A		SERBATOIO ARANCIO	FUEL/OIL TANK OR.	RESERVOIR ORANGE	DEPOSITO ORANGE			
	50010086A		SERBATOIO ROSSO	FUEL/OIL TANK RED ...	RESERVOIR ROUGE	DEPOSITO ROJO			
28	50010024		COPERCHIO ARANCIO	HANDLE COVER OR. ...	COUVERCLE ORANGE	TAPA ANAR.			
	50010083		COPERCHIO ROSSO .	HANDLE COVER RED ..	COUVERCLE ROUGE .	TAPA ROJO			
29	3960040		VITE	SCREW	VIS	TORNILLO			
30	50010157		LEVA ACCELERATORE	THROTTLE LEVER	LEVIER ACCEL.	PALANCA ACEL.			
31	50012008		TAPPO COMPL.	CAP ASSY	BOUCHON COMPL.	TAPON COMPL.	4	59	12-98
32	50010139		ASTA ACCEL. COMPL.	THROTTLE LEVER ASSY	LEVIER ACCEL. COMPL.	PALANCA ACEL. COMPL.			
33	0970.00038A		ANTIVIBRANTE	SHICK ABSORBER	AMORTISSEUR	ANTIVIBRADOR			
34	0999.00083A		VALVOLA DI SFIATO ...	TANK BREATHER	SOUPAPE DE RESERVOIR	VALVULA DEL DEPOSITO .			
35	0060.00251		VITE	SCREW	VIS	TORNILLO			
36	50010029		PASSA TUBO	GROMMET	OEILLET	PASA-CABLE			
37	0970.00061A		VITE	SCREW	VIS	TORNILLO			
38	50010041A	50020016	IMPUGNATURA	HANDLE	POIGNEE	EMPUNADURA			
39	0945.00207		FILTRO MIX	FUEL FILTER	FILTRE MIX	FILTRO GASOLINA			
40	50010093		TUBO MIX	FUEL LINE	TUYAU MIX	TUBO GASOLINA			
41	0999.00090		O-R	O-RING	O-RING	O-RING			
42	61060012		TUBO	FUEL LINE	TUYAU	TUBO			
43	3833073		RONDELLA	WASHER	RONDELLE	ARANDELA			
44	0970.00025		LEVA DI FERMO	LEVER	LEVIER	PALANCA			
45	094500575		MOLLA	SPRING	RESSORT	RESORTE			